

Grazia LDGR-30 GST

STANDARD FEATURES

- working temperature: from 0°C to 2°C
- refrigerant: R744
- electrical defrosting
- 2 x NTC temperature probe
- siphoned condensate drains
- 2 exposition: zinc-plated steel, powder coated in white (RAL 9003)
- worktop: linen stainless steel
- perspex covers – 1250, 1875, 2500, 3750

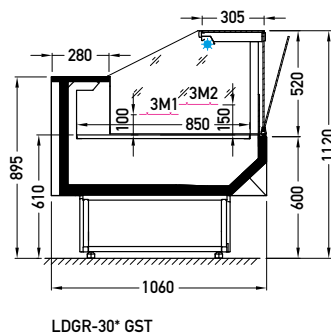
OPTIONS

- electronic expansion valve
- LEDit lighting
- PVC floor profiles
- bumper
- sidewalls



Grazia LDGR-30 2500 GST

GST – glass | single, straight | tilt



LDGR-30* GST



AVAILABLE MODULES

1250 1875 2500 3750